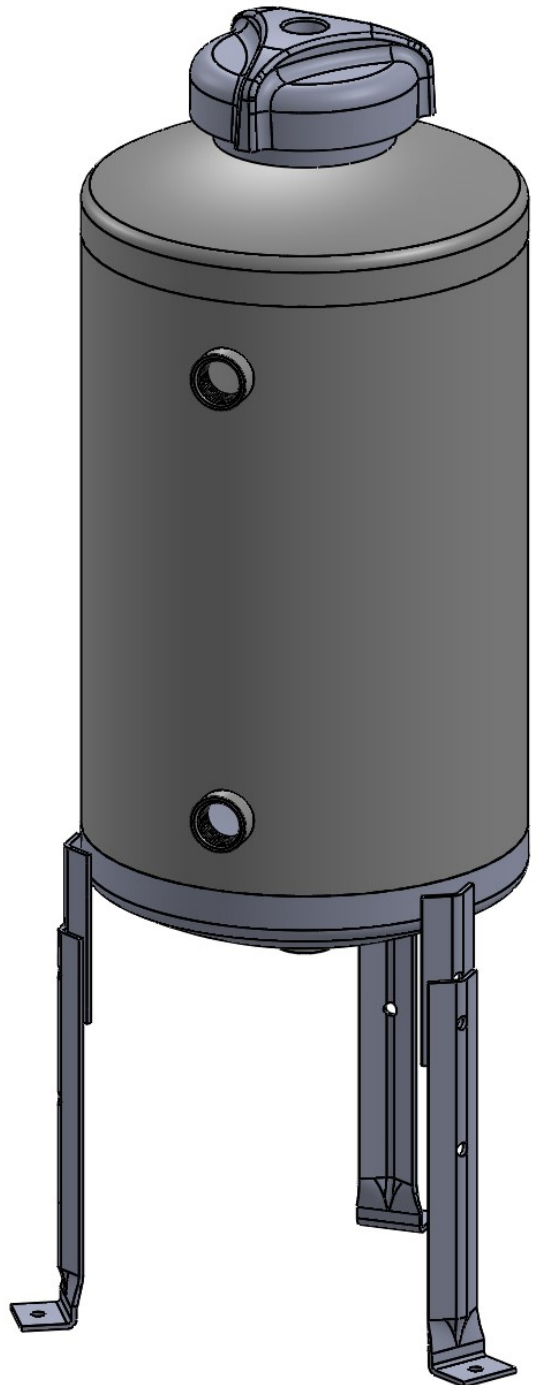


Econo-Series Bypass & Filter-Feeders CW-EC-5 & CW-EC-5TC



Distributed by:

ChemWorld.com

Worldwide Online Ordering and Consulting

GEORGIA WAREHOUSE

3939 Royal Drive, Suite 139, Kennesaw, GA, 30144

UTAH WAREHOUSE

647 West Billinis Road, Unit 1 Salt Lake City, Utah 84119

MICHIGAN WAREHOUSE

25991 Northline Commerce Dr., Unit 504 Taylor, MI 48180

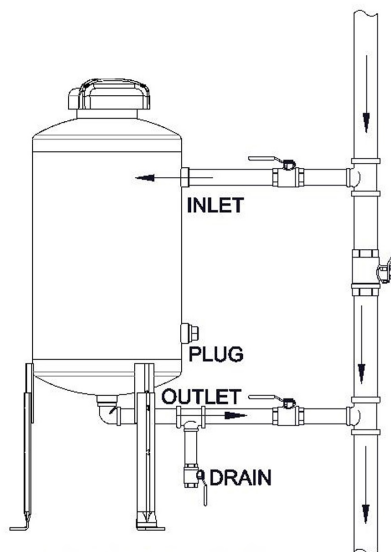
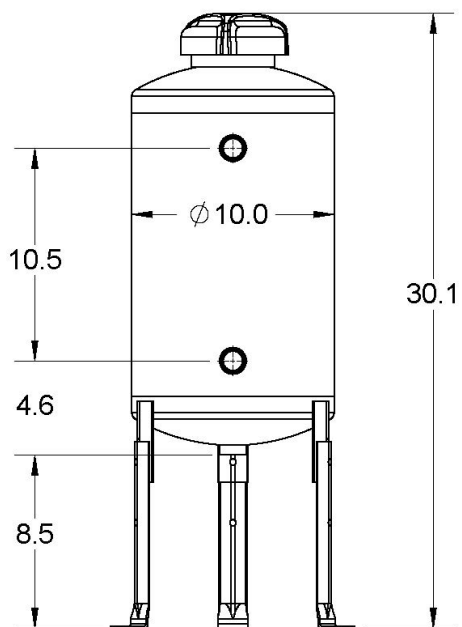
Sales: 1.800.658.7716 | Sales@Chemworld.com



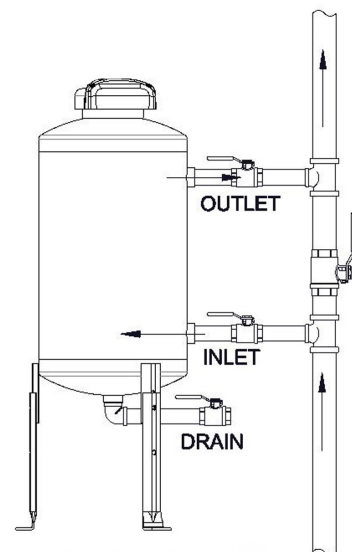
GEORGIA WAREHOUSE
3939 Royal Drive, Suite 139,
Kennesaw, GA, 30144

MICHIGAN WAREHOUSE
25991 Northline Commerce Dr.
Unit 504 Taylor, MI 48180

UTAH WAREHOUSE
647 West Billinis Road, Unit 1
Salt Lake City, Utah 84119



WITH FILTER



WITHOUT FILTER

Specifications, Capacities, Measurements 5 gal - (Cartridge) Filter-Feeder w/Legs		CW-EC-5	CW-EC-5TC
#	Component or Parameter	< 200 psi	< 300 psi
1	Capacity (approximate)	5 gal	5 gal
2	Max temperature	200° F	200° F
3	Max pressure	200 psi	300 psi
4	Cap (incl.): < 200psi (3-lug) or < 300psi (thread)	3-lug	Threaded
5	Legs: bolt-on, non-adjustable, 7" floor clear.	Included	Included
6	Foot-Lock™: Slotted Mounting Tabs	N/A	N/A
7	Filter Kit (#10055); CARTRIDGE-20, rod, caps	Optional	Optional
8	Neck: Standard or Extended	Standard	Standard
9	Cap: diameter	3.5"	3.5"
10	Fill opening: diameter	3.5"	3.5"
11	Base-Configuration: In (Dish) or Out (Dome)	Out	Out
12	Body: Width (Diameter)	10.0"	10.0"
13	Height	30.1"	30.1"
14	Fittings (size): NPT	3/4"	3/4"
15	Shipping Weight	34	34