

# Drum Mixers

## Bung-Entering – 55 Gallon Drum, 1750 rpm

Neptune Mixer Company offers a complete line of Bung-Entering Mixers. Two styles for water-like solutions use a folding propeller. Two styles (Series H & HGS) for viscous fluids use permanent blades and are offered in higher horse-powers. All Neptune Bung-Entering Mixers fit through the standard 2-in. Bung on 55-gallon drums.

### Features

- Shaft and folding propeller are 316SS. Propeller folds for entry; opens to 3¼-in. diameter when operating.
- All mixers are in stock for off-the-shelf delivery.
- Motors are available in TEFC or explosion-proof enclosures (56C frame). Air motors also available.

**CLOSED**  
(for entering)



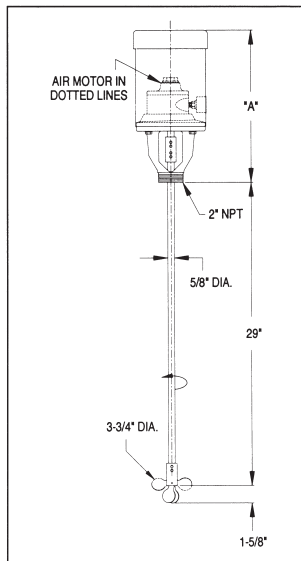
**OPEN**  
(for mixing)



## Series E Mixers

Model Number	Standard Motor Description	A
<b>Totally-enclosed fan-cooled (TEFC)</b>		
E-1.0	1/4 HP-1-115/230	13"
E-2.0	1/3 HP-1-115/230	13½"
E-2.2	1/3 HP-3-230/460	13½"
E-3.0	1/2 HP-1-115/230	14"
E-3.2	1/2 HP-3-230/460	13⅝"
<b>Explosion-proof class 1 group D (EP)</b>		
E-2.1	1/3 HP-1-115/230	14⅝"
E-2.3	1/3 HP-3-230/460	14⅝"
E-3.1	1/2 HP-1-115/230	16⅝"
E-3.3	1/2 HP-3-230/460	14⅝"
<b>Air motor</b>		
E-4.0	1/4 HP to 1/2 HP AIR Air Requirements: 10-20CFM at 20-40PSI	10⅝"

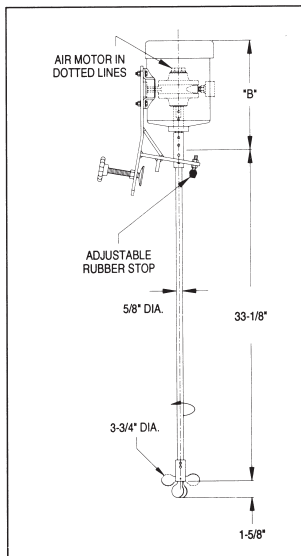
50 Hz Motors Available



**MODEL E-2.1**  
Screws into standard 2-in. bung fitting.

## Series F Mixers

Model Number	Standard Motor Description	B
<b>Totally-enclosed fan-cooled (TEFC)</b>		
F-1.0	1/4 HP-1-115/230	10⅝"
F-2.0	1/3 HP-1-115/230	10⅝"
F-3.0	1/2 HP-1-115/230	11⅝"
F-3.2	1/2 HP-3-230/460	11¼"
<b>Explosion-proof class 1 group D (EP)</b>		
F-3.1	1/2 HP-1-115/230	14⅝"
<b>Air motor</b>		
F-4.0	1/4 HP to 1/2 HP AIR Air Requirements: 10-20CFM at 40-80PSI	5⅝"



**MODEL F-2.0**  
Clamps to lip of standard steel drums.